

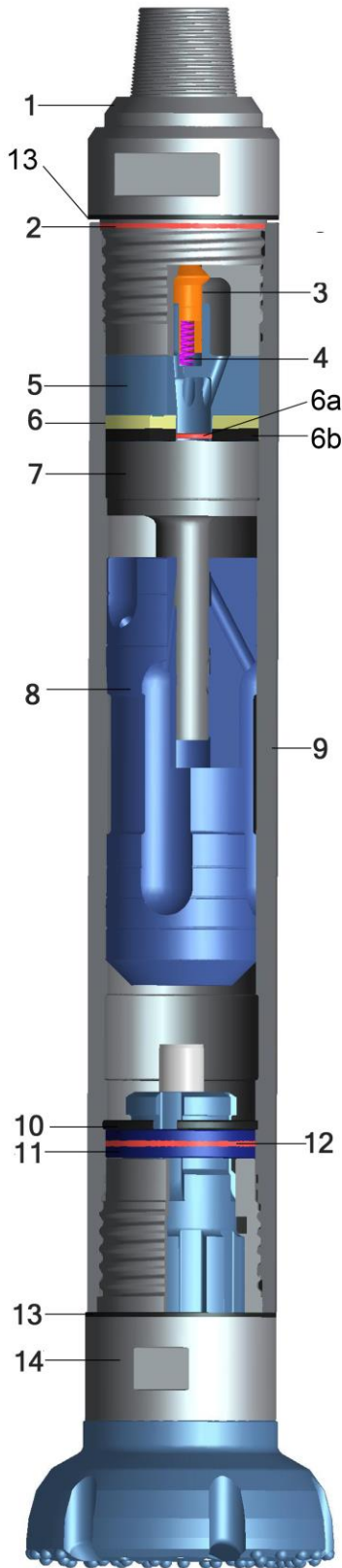
# PITELUMEC

## *Thumper 140* DOWN THE HOLE HAMMER



**THUMPER 140 FOR HOLE DIAMETER 350 - 508MM**

# PNEUMEC THUMPER 140 14" DOWN THE HOLE HAMMER



## THUMPER 140 HAMMER PARTS LIST

|     |                             |              |
|-----|-----------------------------|--------------|
| 1.  | BACKHEAD 6-5/8" API REG PIN | HSP14S1T5M   |
| 2.  | BACKHEAD "O" RING           | HSP14S2      |
| 3.  | CHECKVALVE                  | HSP14S3      |
| 4.  | CHECK VALVE SPRING          | HSP14S4      |
| 5.  | VALVE CHEST                 | HSP14S5      |
| 6.  | MAKE UP RING                | HSP14S22     |
| 6a. | MAKE UP PLATE "O" RING      | HSP14S6      |
| 6b. | MAKE UP PLATE               | HSP14S23     |
| 7.  | CONTROL TUBE                | HSP14S8      |
| 8.  | PISTON                      | HSP14S12125  |
| 9.  | WEARSLEEVE                  | HSP14S18     |
| 10. | PISTON RING                 | HSP14S25     |
| 11. | BIT RETAINERS               | HSP14S15N125 |
| 12. | BIT RETAINERS "O" RING      | HSP14S16     |
| 13. | WASHER (2)                  | HSP14S21     |
| 14. | CHUCK N125                  | HSP14S19125  |
| 15. | COMPLETE HAMMER N125        | HAM14S125THP |

## THUMPER 140 HAMMER SPECIFICATIONS

|                     |                    |
|---------------------|--------------------|
| DIAMETER            | 320MM              |
| LENGTH (EFFECTIVE)  | 1920MM             |
| PISTON WEIGHT       | 188KG              |
| HAMMER WEIGHT       | 1090KG             |
| HOLE DIAMETER       | 350MM – 508MM      |
| BACKHEAD CONNECTION | 6-5/8" API REG PIN |
| SHANK TYPE          | N125               |

## THUMPER 140 HAMMER AIR CONSUMPTION

| PRESSURE (BAR / PSI) | CFM  | M <sup>3</sup> /MIN |
|----------------------|------|---------------------|
| 6.9 / 100            | 700  | 20                  |
| 10.3 / 150           | 1300 | 37                  |
| 13.8 / 200           | 2000 | 57                  |
| 15.2 / 225           | 2500 | 71                  |

# PNEUMEC

**PNEUMEC COMPANY LIMITED**

1st Floor, Tin On Sing Comm. Bldg., 41-43 Graham St. Central, H.K.

Tel : (852) 2180 9922

Fax : (852) 2180 9982

Website : [www.pneumec.com](http://www.pneumec.com)

email : [info@pneumec.com](mailto:info@pneumec.com)